

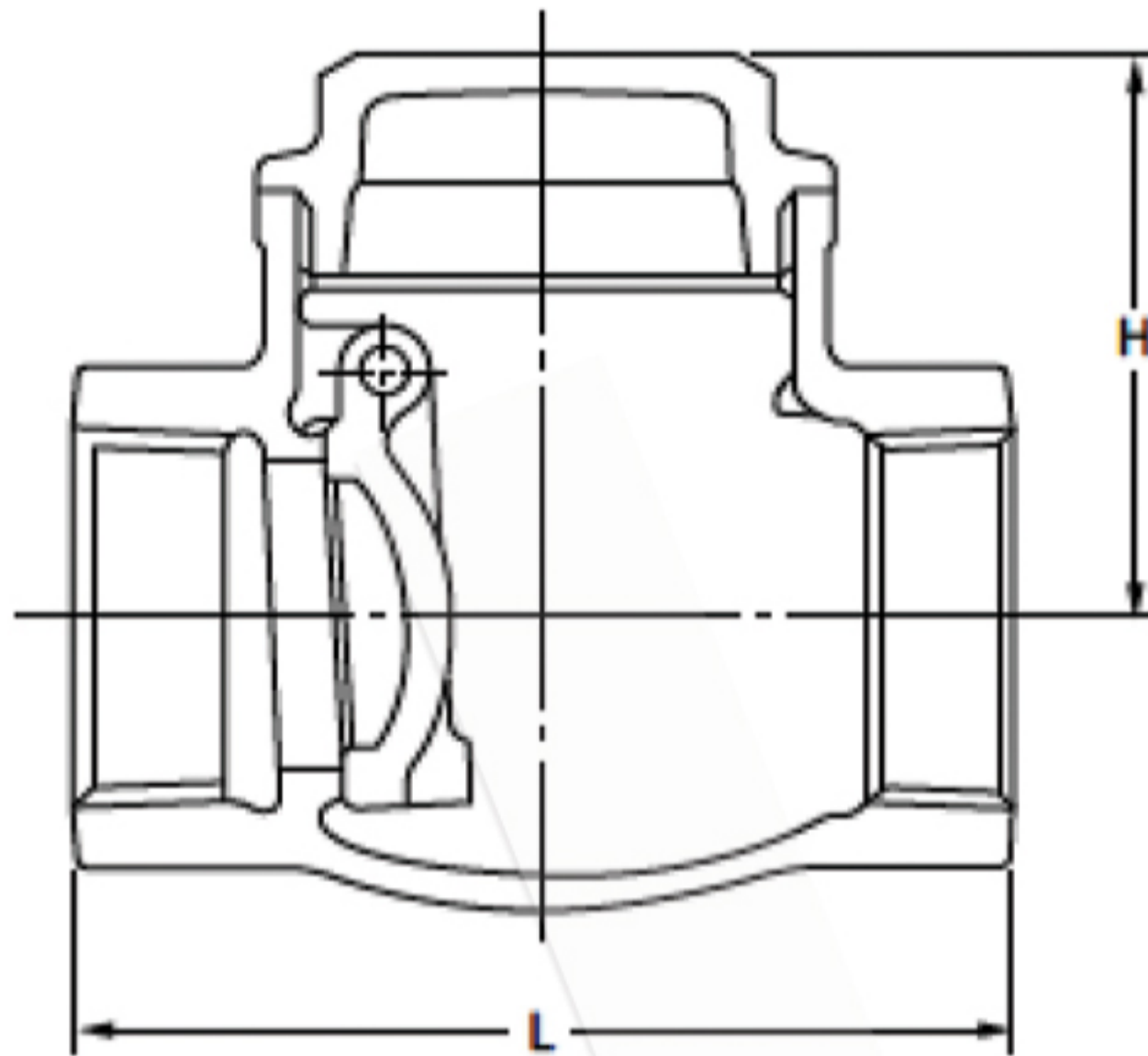
10K

SWING CHECK VALVE

Pressure-Temperature Rating: 1.0 MPa: 180°C

UO

Parts	UO	UOM
Body	SCS13A	SCS14A
Cap	SCS13A/SUS304	SCS14A/SUS316
Disc	SCS13A	SCS14A
Hinge pin	SUS304	SUS316
Plug	SUS304	SUS316



Face to face dimensions: JIS B2011*
 End thread dimensions: JIS B0203
 Wall thickness: KITZ Std.

*KITZ standard for Size 65 and 80

Nominal Size	Unit: mm							
	1/2	3/4	1	1 1/4	1 1/2	2	2 1/2	3
L	65	80	90	105	120	140	180	200
H	45	55	61	71	72	81	93	104